

Nema 23 Stepper Motor

Rev: A

Date:

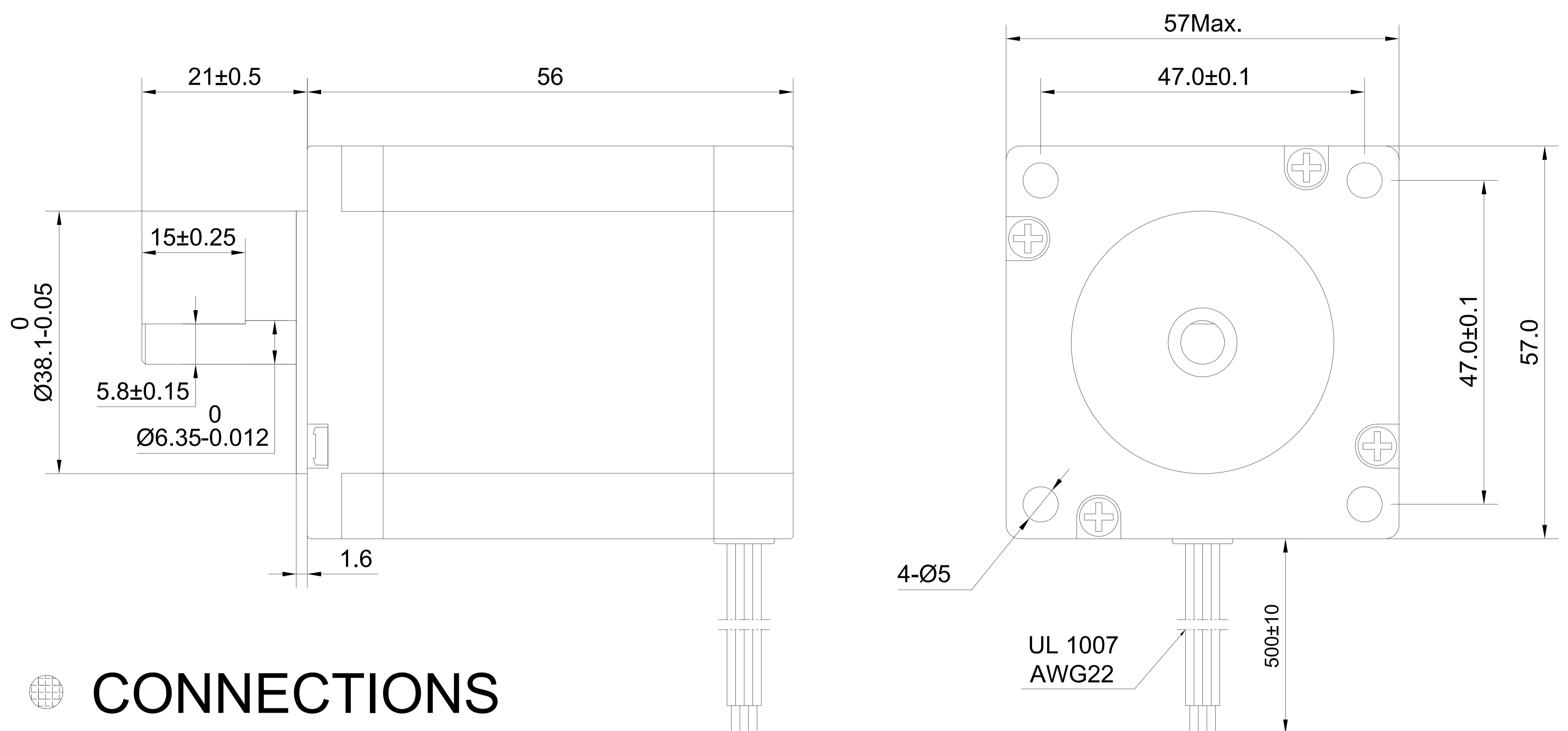
COMMON RATINGS

Step angle :	1.8°	Dielectric strength :	500VAC
Positional accuracy :	±5%	Insulation resistance :	100Mohm(500VDC)
Number of Phase :	2	Ambient Temperature :	-10°C~50°C
Temperature rise :	80°C MAX	Insulation class :	B
Rotor Inertia :	300gcm ²	Weight :	0.7Kg

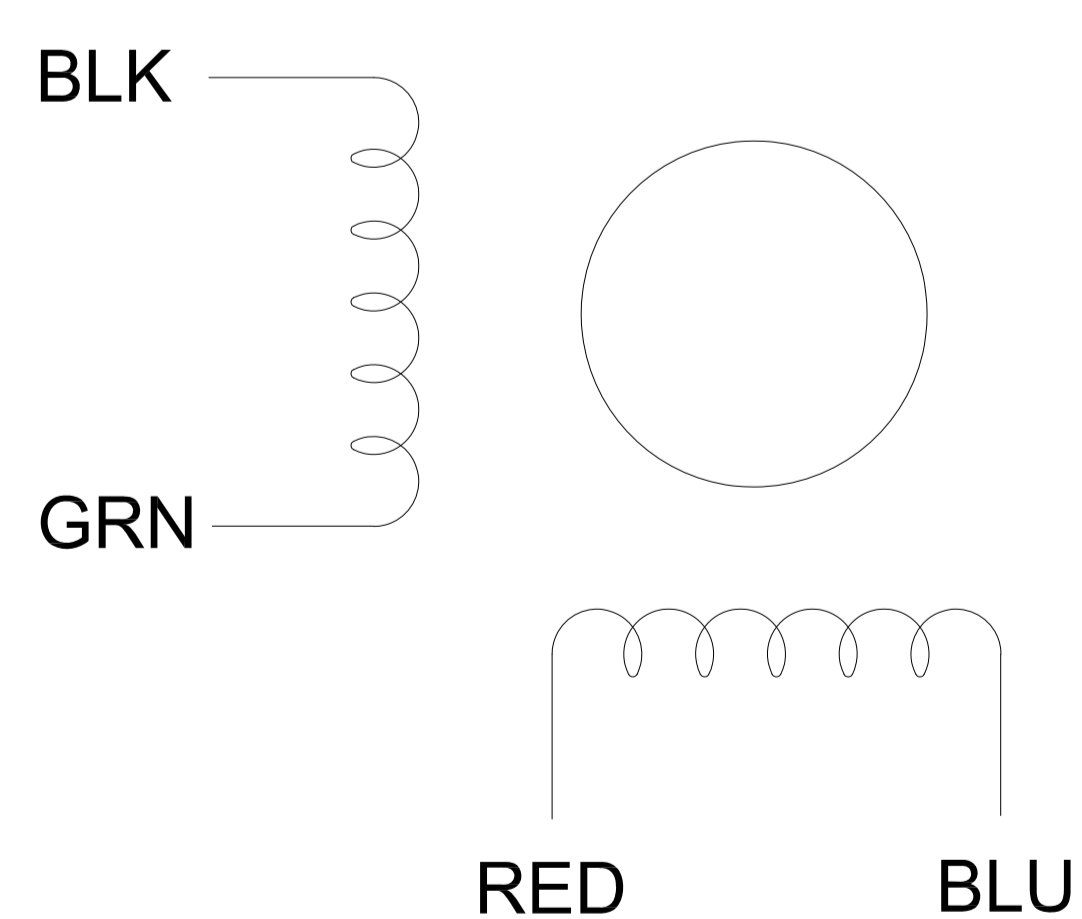
SPECIFICATIONS

Holding Torque (2 phases on) Nm	Rated Current/Phase (Amps DC)	Phase Resistance (ohms) ±10%	Voltage Current/Phase (V DC)	Phase Inductance (mH)±20%(1KHz) Typical
1.26	2.8	0.9	2.5	2.5

DIMENSIONS unit=mm



CONNECTIONS



57G56-2804S

www.gekar.pl