

# Nema 24 Hybrid Stepper Motor

Rev: A

Date:

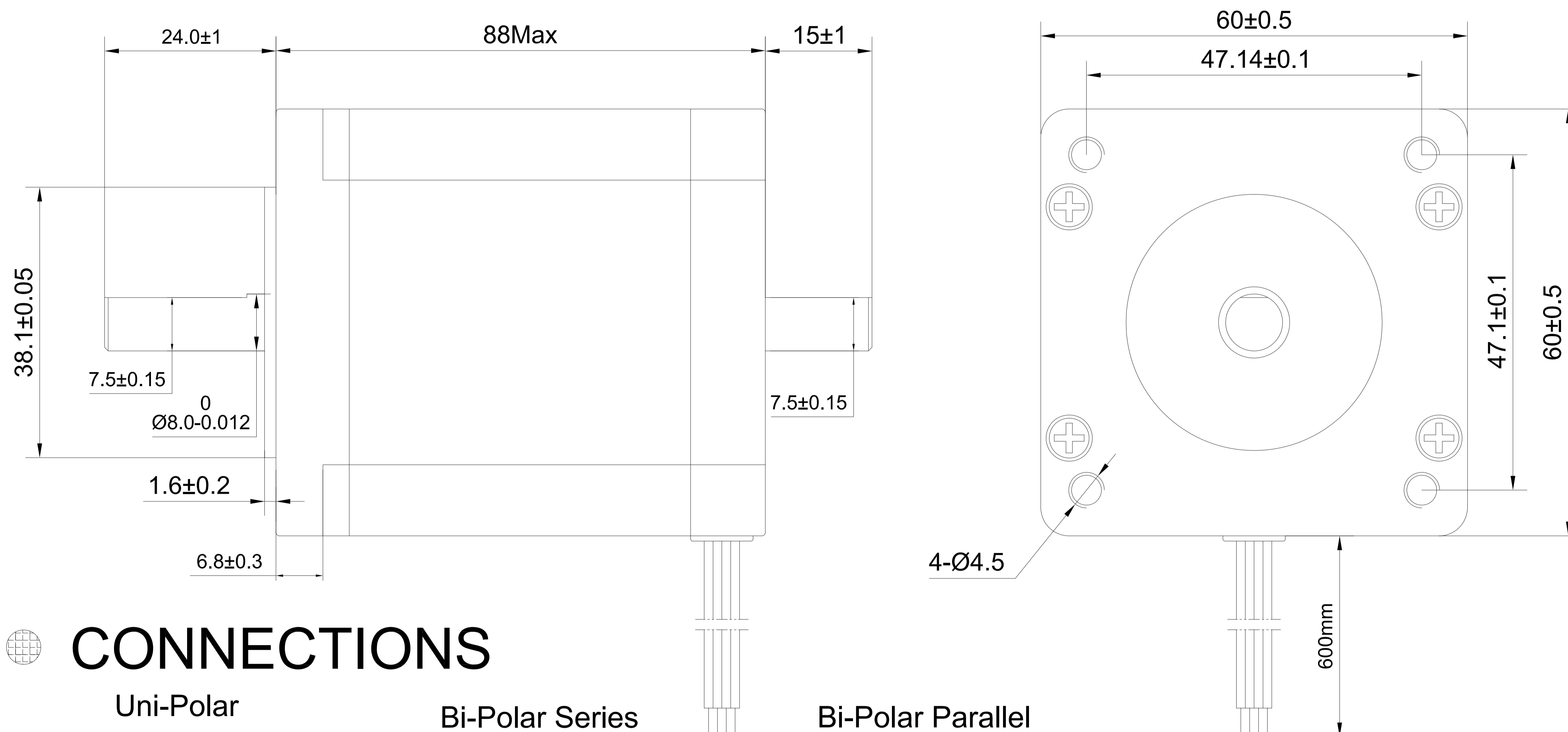
## COMMON RATINGS

Step angle :	1.8°	Dielectric strength :	500VAC
Positional accuracy :	±5%	Insulation resistance :	100Mohm(500VDC)
Number of Phase :	2/4	Ambient Temperature :	-10°C~50°C
Temperature rise :	80°C MAX	Insulation class :	B
Rotor Inertia :	840gcm <sup>2</sup>	Weight :	1.34Kg

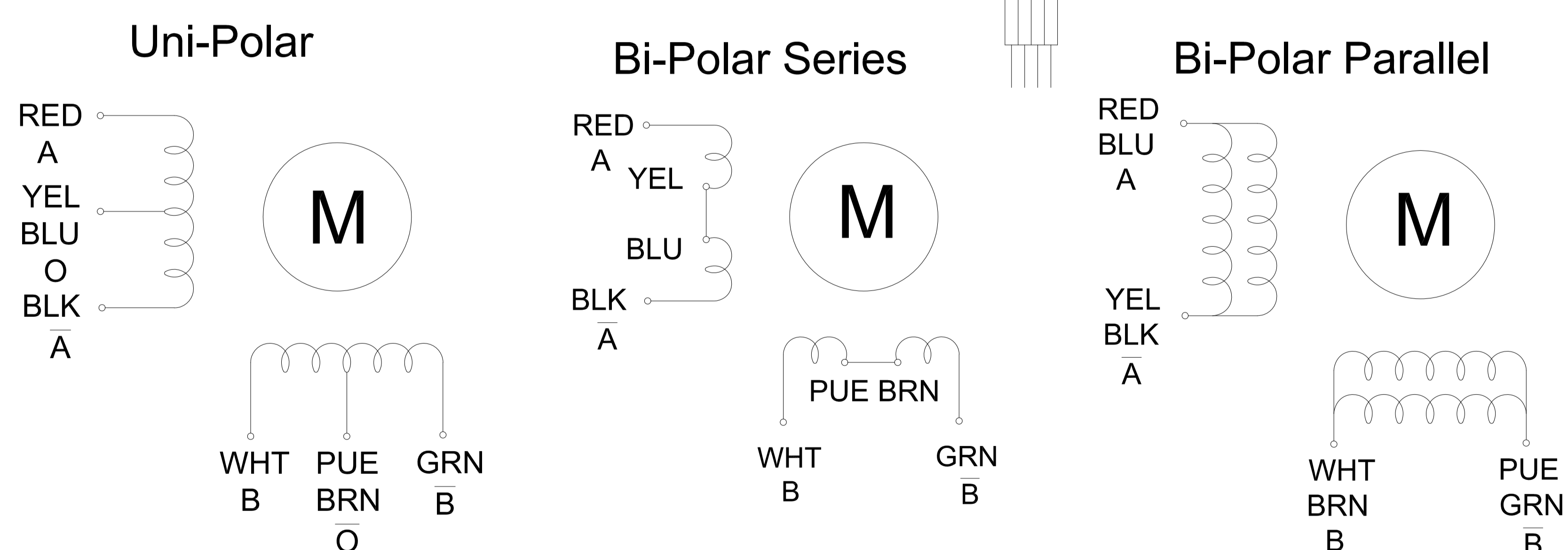
## SPECIFICATIONS

Connection	Holding Torque ( 2 phases on ) Nm	Rated Current/Phase (Amps DC )	Phase Resistance ( ohms ) ±10%	Voltage Current/Phase ( V DC )	Phase Inductance ( mH )±20%(1KHz) Typical
Unipolar	2.2	3.0	1.3	3.9	3.2
Bipolar (Serial)	3.1	2.1	2.6	5.5	12.8
Bipolar (Parallel)	3.1	4.2	0.65	2.7	3.2

## DIMENSIONS unit=mm



## CONNECTIONS



60G80-3008D

[www.gekar.pl](http://www.gekar.pl)