

Nema 34 Stepper Motor

Rev: A

Date:

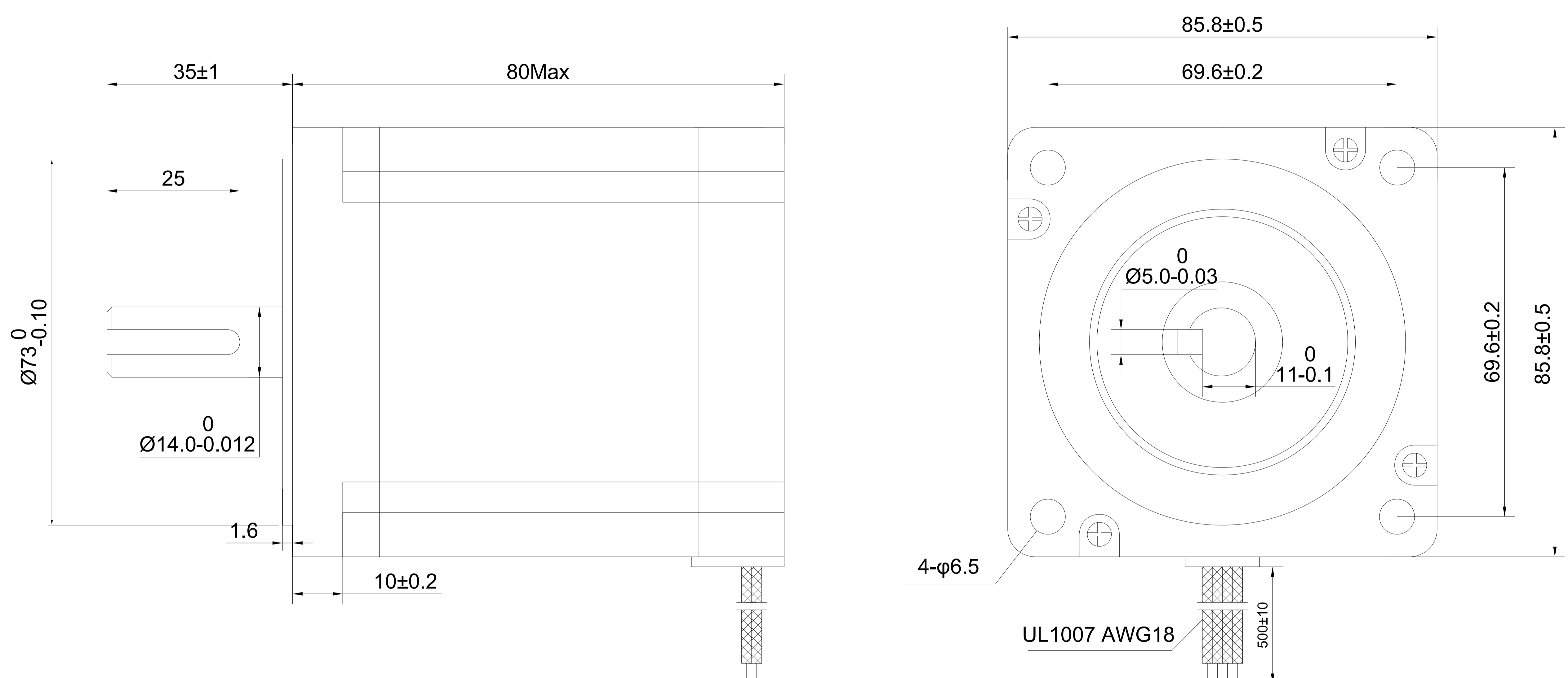
COMMON RATINGS

Step angle :	1.8°	Dielectric strength :	500VAC
Positional accuracy :	±5%	Insulation resistance :	100Mohm(500VDC)
Number of Phase :	2	Ambient Temperature :	-10°C~50°C
Temperature rise :	80°C MAX	Insulation class :	B
Rotor Inertia :	1.4 Kgcm ²	Weight :	2.3Kg

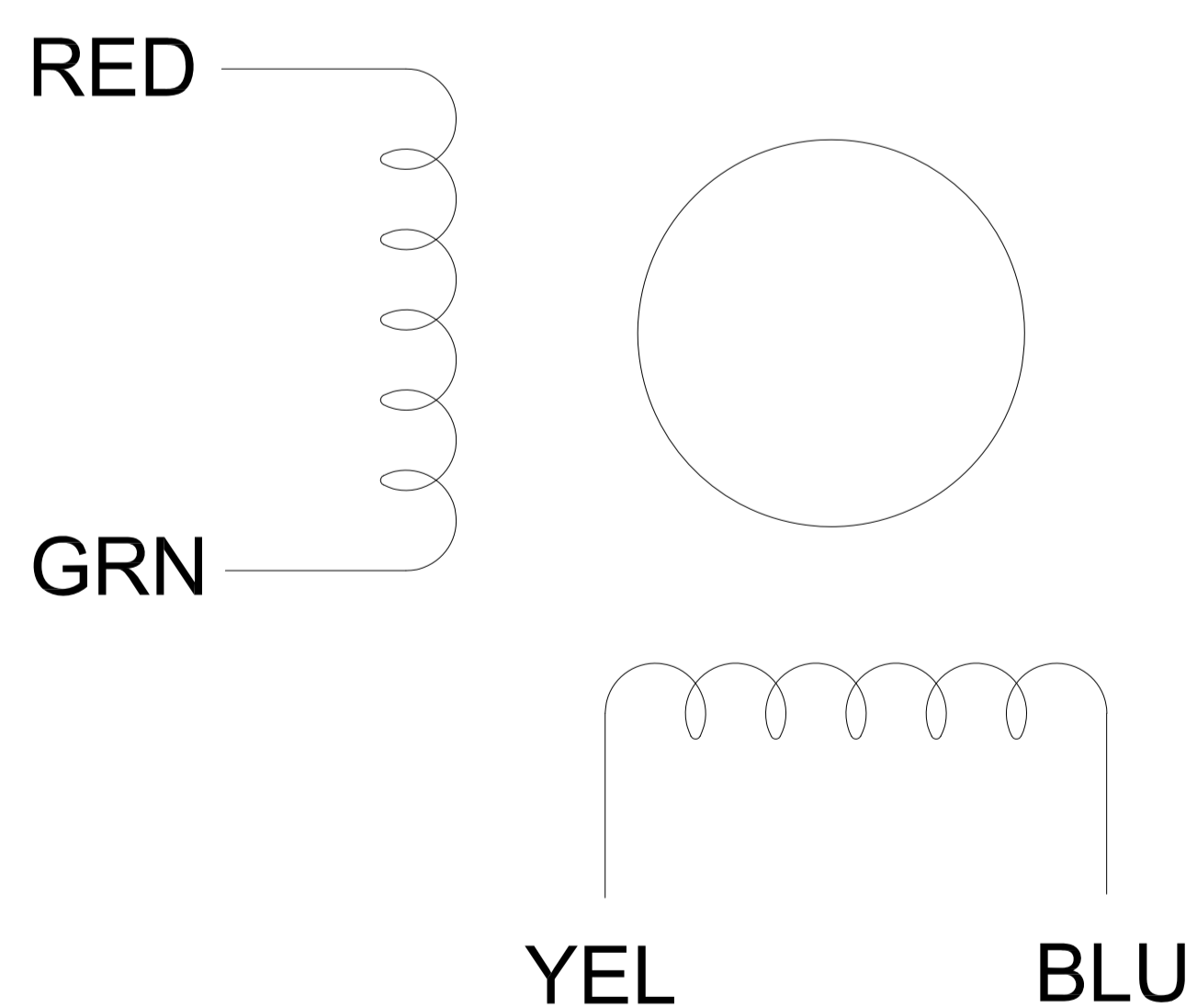
SPECIFICATIONS

Holding Torque (2 phases on) Nm	Rated Current/Phase (Amps DC)	Phase Resistance (ohms) ±10%	Rated Voltage/Phase (V DC)	Phase Inductance (mH)±20%(1KHz) Typical
4.5	5.5	0.40	2.2	3.5

DIMENSIONS unit=mm



CONNECTIONS



86G80-5504S

www.gekar.pl